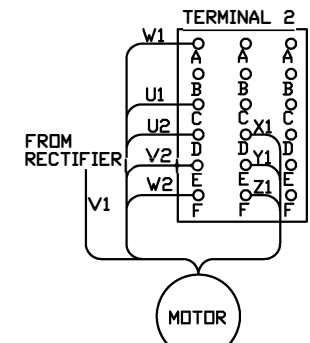
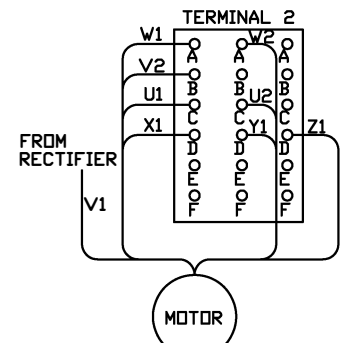


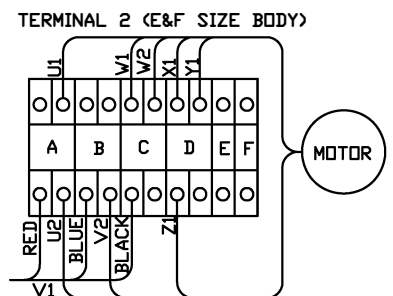
2 GEAR HOIST MOTOR AT 208-230V.



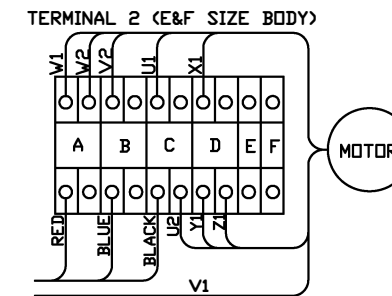
3 GEAR HOIST MOTOR AT 415-460V.



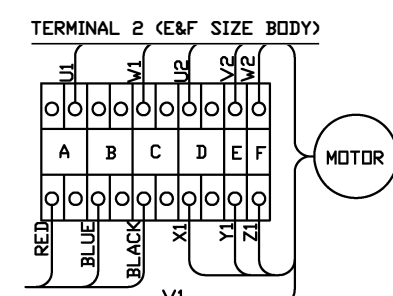
3 GEAR HOIST MOTOR AT 208-230V.



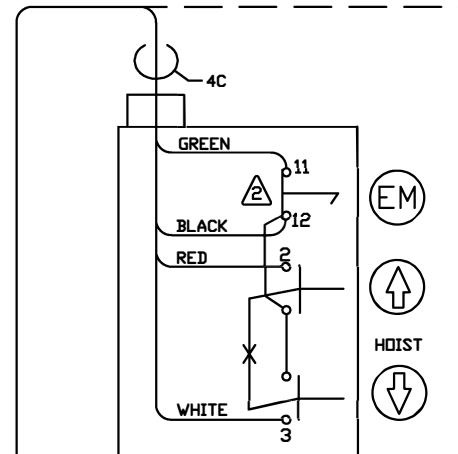
2 GEAR HOIST MOTOR AT 208-230V.



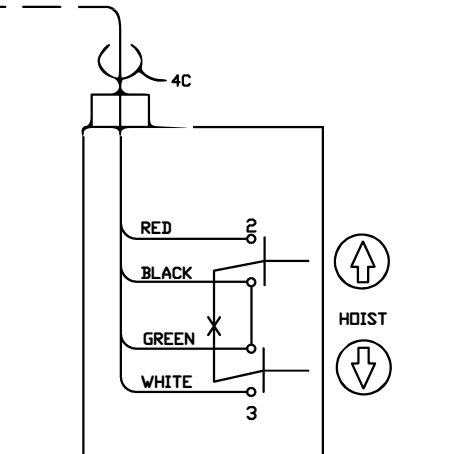
3 GEAR HOIST MOTOR AT 208-230V.



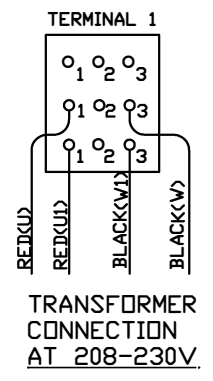
2 GEAR HOIST MOTOR AT 415-460V.



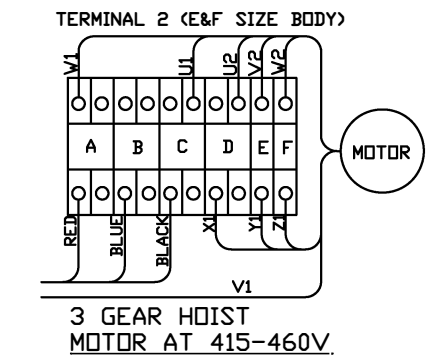
2 BUTTON PENDANT W/E-STOP



2 BUTTON PENDANT W/O E-STOP



TRANSFORMER CONNECTION AT 208-230V.



3 GEAR HOIST MOTOR AT 415-460V.

MODEL: ER2A & NER2A  
 FOR: 1/8 TO 5 TON SINGLE SPEED HOIST.  
 VOLTAGE: 208-230/460-3-60  
 NOTES: 1) WRAP RED TAPE ON GREEN CONDUCTOR WHICH IS NOT USED FOR GROUNDING PURPOSES.

2) TERMINAL 1 AND TERMINAL 2 ARE COMBINED INTO ONE TERMINAL IN 1 TON MODEL 010L AND 010S, AS WELL AS 2 TON 020C.

CAPACITY (TONS)	PRODUCT CODE	BODY SIZE	REDUCTION GEAR #
1/8	(N)ER2001H/HD	B	2
1/4	(N)ER2003S/SD	B	2
1/4	(N)ER2003H/HD	C	2
1/2	ER2005L/LD	C	3
1/2	NER2005L/LD	C	2
1/2	(N)ER2005S/SD	C	2
1	(N)ER2010L/LD	D	3
1	(N)ER2010S/SD	D	2
1-1/2	(N)ER2015S/SD	E	3
2	(N)ER2020C/CD	D	3
2	(N)ER2020L/LD	E	3
2	(N)ER2020S/SD	E	2
2-1/2	(N)ER2025S/SD	F	3
3	(N)ER2030C/CD	E	2
5	(N)ER2050L/LD	F	3

NOTE: (N)ER REPRESENTS BOTH NER & ER HOISTS

3	ECN 466	TDT	12/09/08	RI	1/21/09
2	ECN 465	TDT	12/01/08	RI	12/02/08
1	REVISED TRANSFORMER WIRING SEQUENCE	TDT	11/06/08	RI	11/06/08
NO.	REVISION DESCRIPTION	DRAWN BY	DATE	CHECKED BY	DATE

TOLERANCES (EXCEPT AS NOTED)	<b>WIRING DIAGRAM</b>				
DECIMAL:	<b>HARRINGTON</b> HOISTS AND CRANES				
FRACTIONAL:	DRAWN BY: TDT	SCALE: FIT	DRAWING NO: 71000	REV. NO: 3	
ANGULAR:	CHK'D BY: BAO	DATE: 10/10/08			