

## Installation of My-te I-Beam Series Hoists To be used in conjunction with the Hoist Operation and Maintenance Guide

My-te I-Beam Series hoists are shipped mounted to the four-wheel push trolley assembly. The trolley assembly is fabricated to fit the I-Beam dimensions provided at the time of order and shown on the packing list. **Do not mount this trolley to I-beams of any other dimension.**

The trolley may be removed from the winch-hoist assembly. This allows easy exchange with a trolley fabricated to fit another I-Beam dimension. The winch-hoist assembly may also be mounted in an inverted fixed position if no trolley is required.

To mount the hoist to the I-beam, remove the trolley wheels from the slotted uprights only. Lift the hoist into position under the beam and carefully support the hoist from the remaining two trolley wheels. Swing the hoist until the slotted uprights are high enough to install the two previously removed wheels on the I-beam flange.

Check for proper fit of the trolley on the I-beam. Verify that the trolley cannot be dislodged from the I-beam. Be sure there is a nut, flat washer and lock washer on the outside of the slotted uprights. Add ½" flat washers to the trolley wheel axles between the wheel and the slotted uprights as needed for proper fit. Tighten all axle nuts securely. The nuts should have full thread engagement and the split lock washer should be flat.

Test the hoist and trolley assembly on the I-beam. It should roll freely without binding.

Set the limit switch per attached instructions.

Carefully test the hoist under load by performing a short lift and moving the load down the I-beam. Recheck the trolley on the I-beam for any loose hardware or improper fit of the hoist and trolley assembly.

Follow all other cautions, warnings and operation instructions.

Please contact your My-te Dealer or the factory with any questions or comments.

My-te Products, Inc.  
9880 E. 30<sup>th</sup> St.  
Indianapolis, IN 46229  
800-840-9880 - ph  
317-897-9811 – fax

[www.myte.com](http://www.myte.com)      [sales@myte.com](mailto:sales@myte.com) – E-mail

# 800AB Parts List

COMMON FASTENERS AND OTHER ITEMS NOT SHOWN HERE ARE AVAILABLE THROUGH MY-TE PARTS DEPT OR YOUR MY-TE DEALER.

ITEM	QTY	PART No.	DESCRIPTION
1	1	052650	Main Shaft, Long for LS
2	1	054050	Coupling, Limit Switch
3	1	068140	Drum Assy, Long Cast
4	1	081510	Cap, Worm Gear Hsg - 100A
5	1	082120	Cover, Worm Gear Housing - Model 800
6	1	088090	Housing, Worm Gear / Studs
7	1	088160	Cover, Spur Gear Hsg/Brg
8	1	088170	Housing, Spur Gear/Brg -100A
9	1	112010	Spur Gear
10	1	113030	Worm Gear, Bronze -No Clutch
11	1	118040	Idler Gear Assy/Shaft - 100A Standard
12	1	118110	Pinion Assy/SS -100A
13	1	118170	Worm Assy / Shaft, Spacer,Pin, Gear,keys
14	1	148230	Frame Assy, Shackle -800
15	1	148360	Tensioner Bar Assy/HW -100A
16	1	151170	Base, Welded Trolley/Uprights -800
17	4	154010	Trolley Wheel -4"
18	1	171280	Spacer, Thick Main Shaft
19	1	171310	Spacer, Thin Main Shaft
20	1	183892	Bracket, L.S. Welded -All Models
21	2	211010	Bearing, Main Shaft

ITEM	QTY	PART No.	DESCRIPTION
22	2	211060	Needle Bearing
23	2	212010	Thrust Washer
24	1	218010	Bearing Assy, Flangette
25	2	218020	Bearing Assy,Worm Shaft
26	2	241010	Oil Seal, Main Shaft
27	1	241020	Oil Seal, Motor Shaft
28	1	241510	Gasket,Worm Gear Hsg
29	1	241521	Gasket,Spur Gear Hsg
30	2	241530	Gasket,Worm Hsg Cap 1/32
31	2	241540	Gasket,Worm Hsg Cap .010
32	1	241550	Gasket, Switch Housing
		248021	Seal & Gasket Kit-New Cover
33	6	282510	Screw, Control Box #6 x $\frac{3}{8}$
34	3	282770	Set Screw, 5/16-18 x 1/2 SSS
35	4	283020	Screw,5/16-18 x 1 SHCS
36	8	283080	Screw,1/4-20 x 1-1/4 SHCS
37	3"	285510	Threaded Rod, $\frac{3}{8}$ -24 x 3" Zinc
38	3	285750	Stud,WGH 3/8-16 x 1-1/4
39	2	286250	Oil Plug, 1/8 NPT
40	1	286260	Valve, Oil Plug 1/8 NPT
41	1	286610	Nut, Hex Jam 3/8-24 Zinc Nylon Insert
42	8	287041	Lockwasher, 1/4 HC
43	2	321520	Snap Ring Worm Shaft -3/4"
44	1	321530	Snap Ring WGH -2"

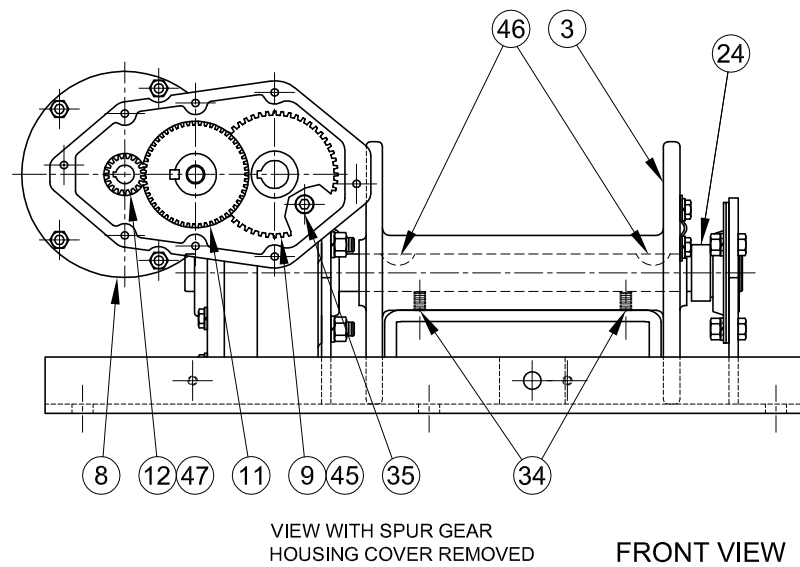
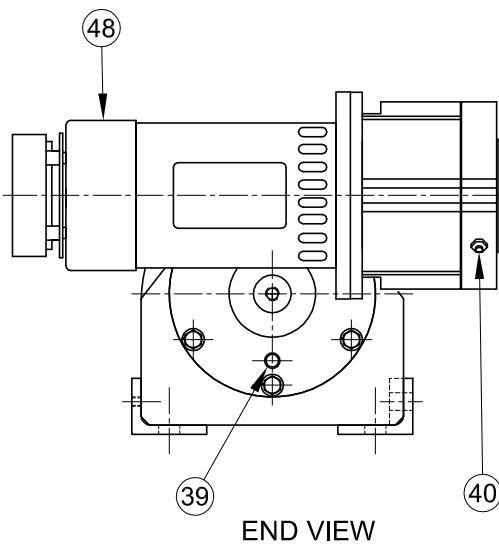
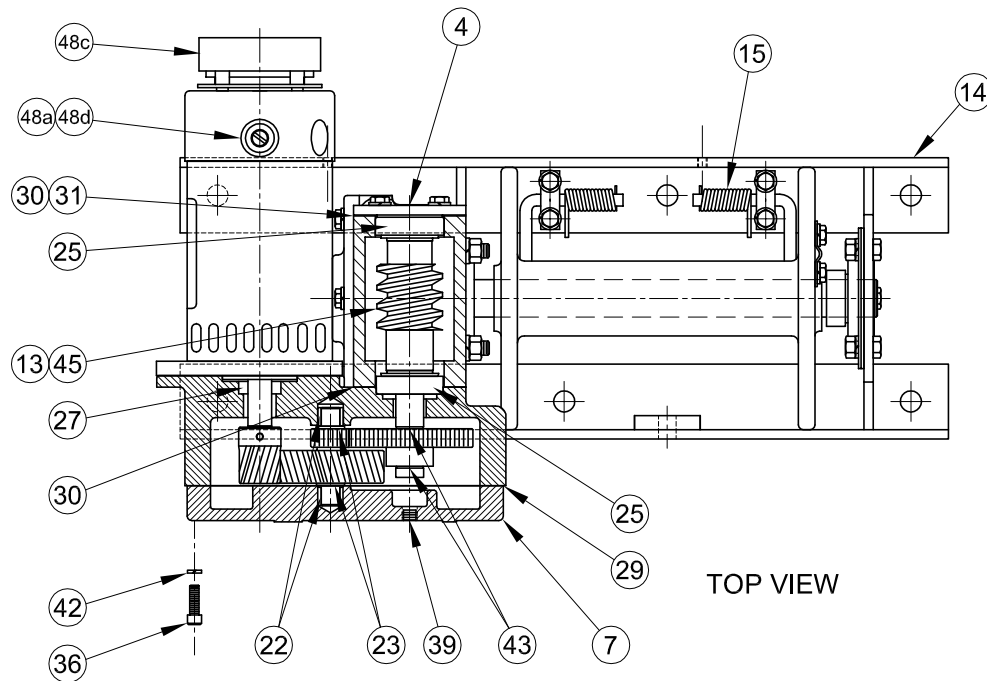
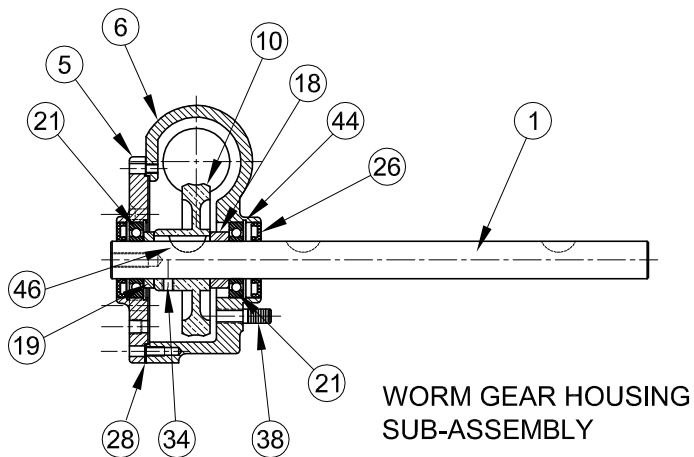
ITEM	QTY	PART No.	DESCRIPTION
45	2	351020	Key, Worm Shaft # 607
46	3	351030	Key, Main Shaft #1008
47	1	351050	Key, Pinion #405
48	1	448120	Brake Motor Assy
48a	2	443020	Brush Cap,Current Apps
48b	1	443030	Rectifier Assy, Current Apps
48c	1	443040	Motor Brake, Current Apps
48d	1	448130	Brush Set, Current Apps
**		518541	Complete Control Box with Switch & Power Cord,800AB
49	1	512020	Panel, Plain
50	1	518050	Control Box Assy w/ Plain Panel
51	1	518251	Panel Assy w/Component - 800AB
52	1	531170	Switch, LS Unit
53	1	538121	Hand Switch Assy 3 Wire
53a	2	531140	Switch,Push Button SPDT
53b	1	532021	Switch Plate/Switch/Guard
53c	2	532550	Guard, Switch
53d	1	552110	Strain Relief, Pendant
54	1	548030	Power Cord Assy
55	2	552020	Strain Relief, Motor
56	2	552090	Strain Relief, Panel Mount
57	1'	552610	Sleeving, Varflex - 3/8

ITEM	QTY	PART No.	DESCRIPTION
58	1	561030	Relay,Power DPDT w/Aux Switch
59	1	561031	Relay, Power DPDT
60	1	562011	Transformer,115/24 VAC w/Term.Block
61	1	562530	Circuit Breaker,20amp 115v
62	1	568030	Relay Assy, LS
63	1	568040	Resistor Assy
64	1	568050	Capacitor Assy
	1	621020	Decal-Oil Level
	1	621130	Decal-Circuit Breaker
	1	621250	Decal-Drum Warning
	1	621260	Decal-Safety 3 x 3
	1	621270	Decal-Capacity & SN
	1	621290	Decal-Made in America
	1	621310	Decal-Danger Hot!
65	1	813020	Shackle, 1 Ton
66	1	818010	Medium Duty Block Assy, 2000 lb. Cap.
67	42'	821030	Wire Rope,1/4 GAC7 x 19
68	1	822530	Thimble, 1/4
69	1	822530	Oval Sleeve, 1/4
70	1	828010	Eye Hook Assy, / Safety Latch - 1Ton Cap.
71	1	828090	Drum Cable Clamp Assy



# 800AB Parts Drawing

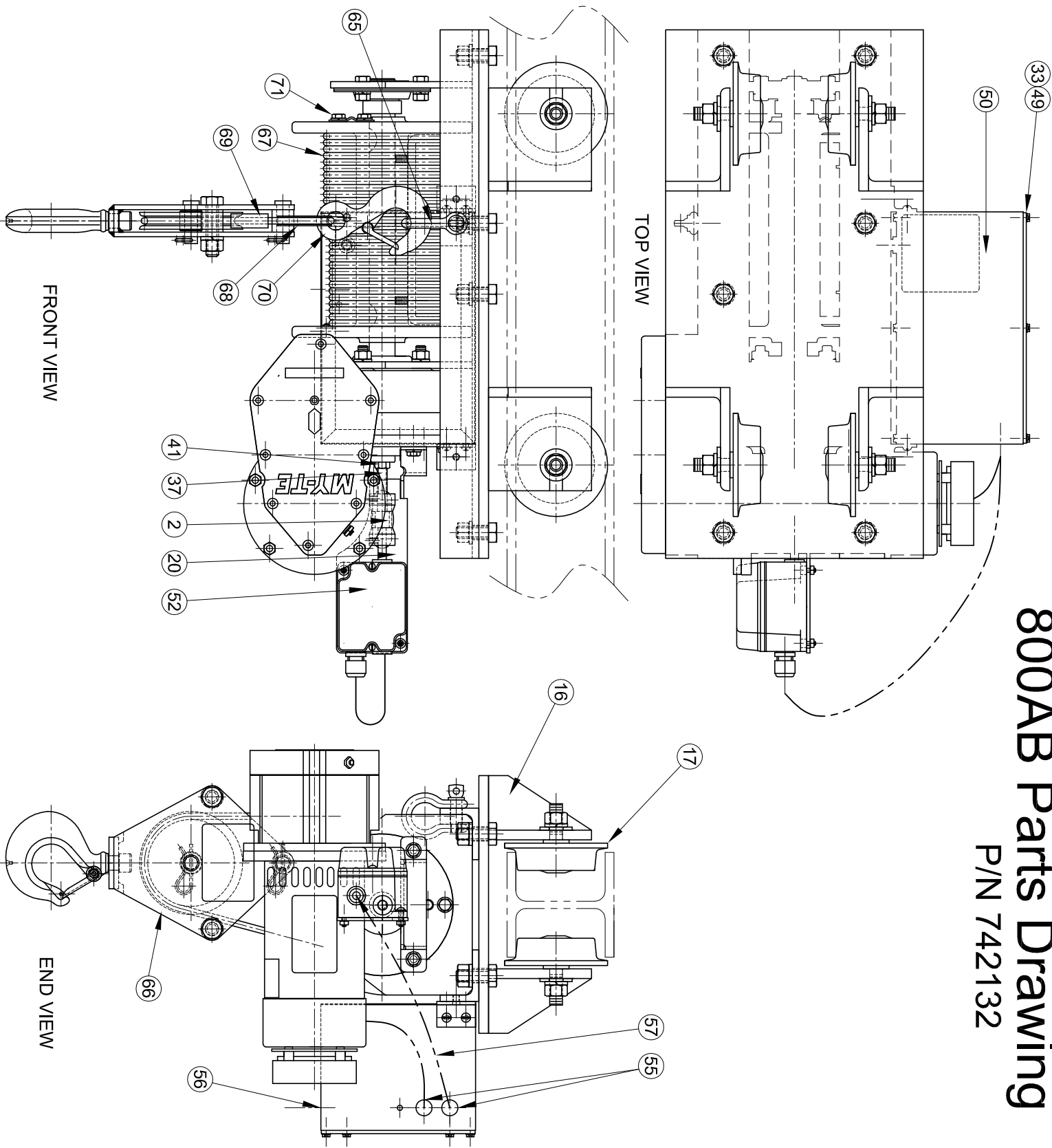
P/N 742132





# 800AB Parts Drawing

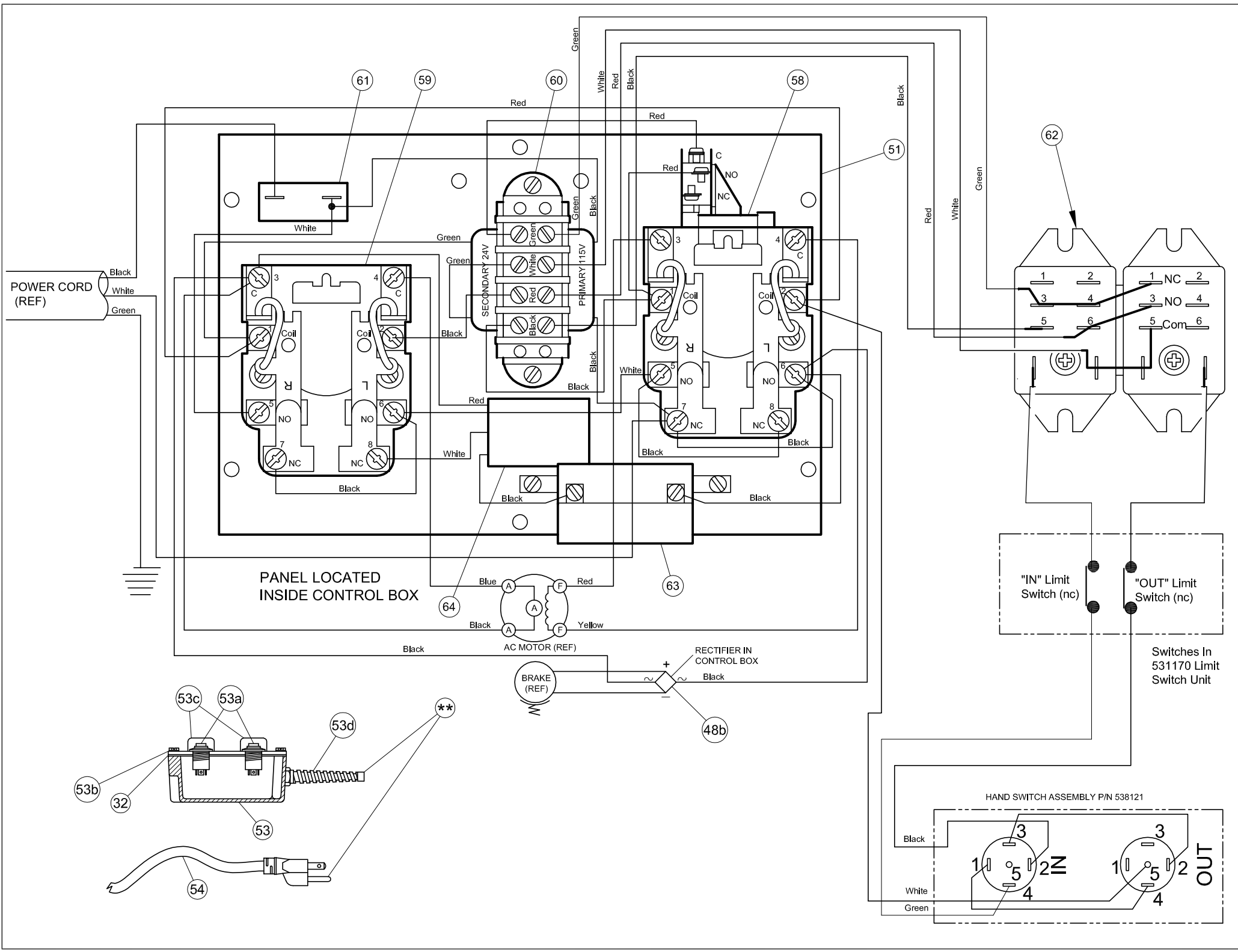
P/N 742132



FRONT VIEW

TOP VIEW

END VIEW



POWER CORD (REF)  
Black  
White  
Green

PANEL LOCATED INSIDE CONTROL BOX

AC MOTOR (REF)

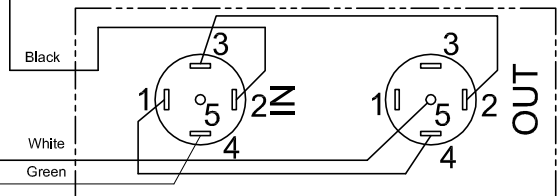
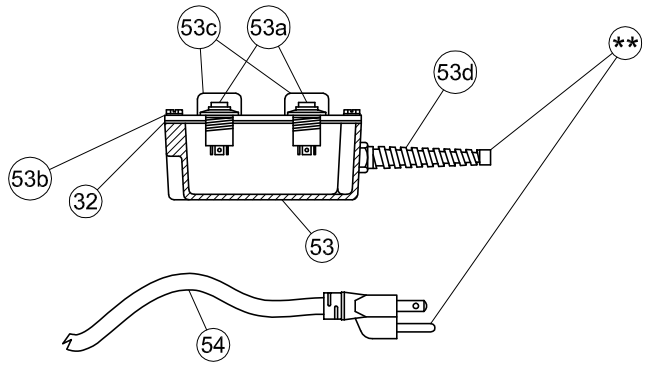
RECTIFIER IN CONTROL BOX

HAND SWITCH ASSEMBLY P/N 538121

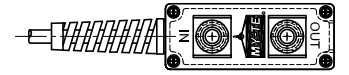
"IN" Limit Switch (nc)

"OUT" Limit Switch (nc)

Switches In 531170 Limit Switch Unit



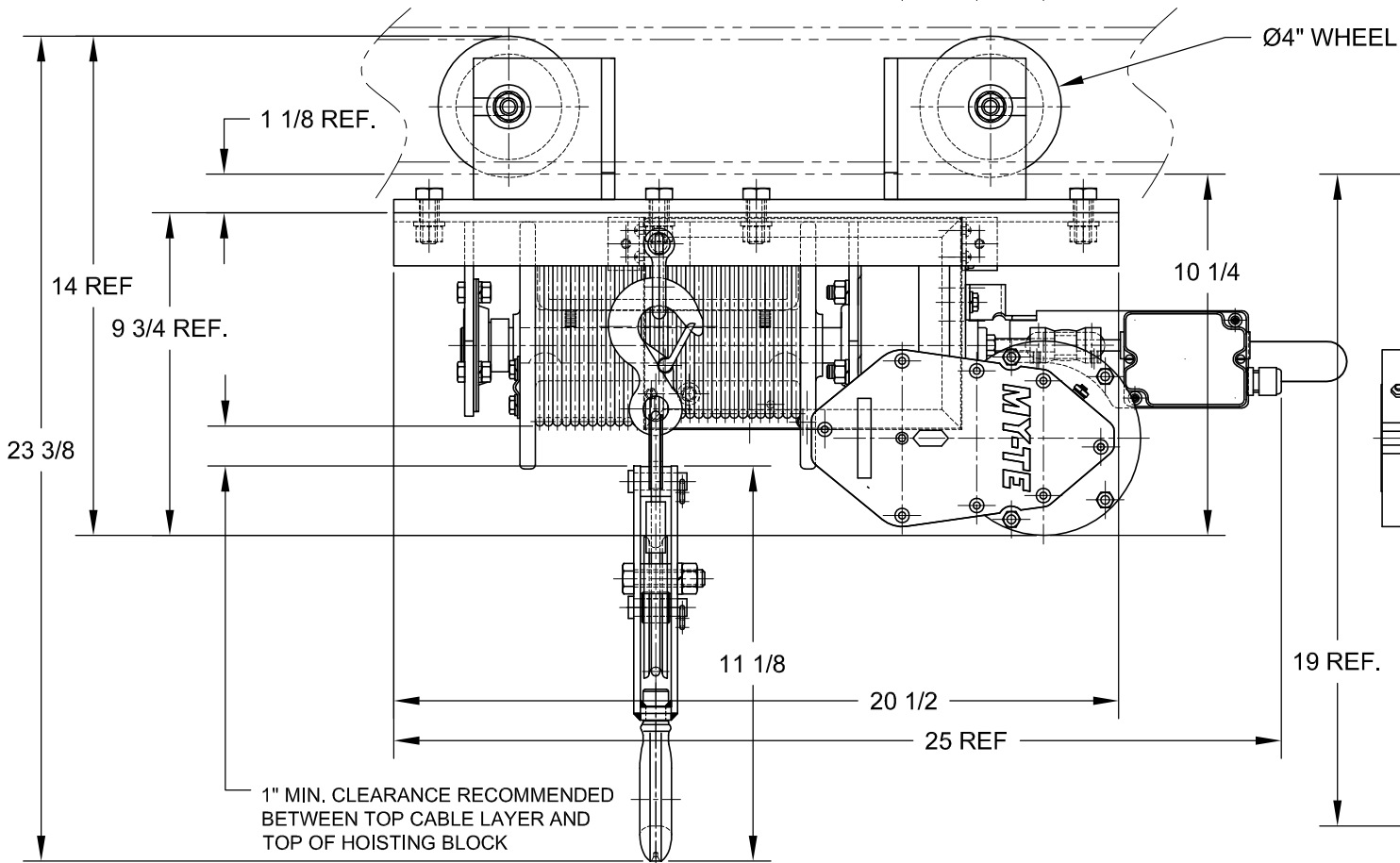
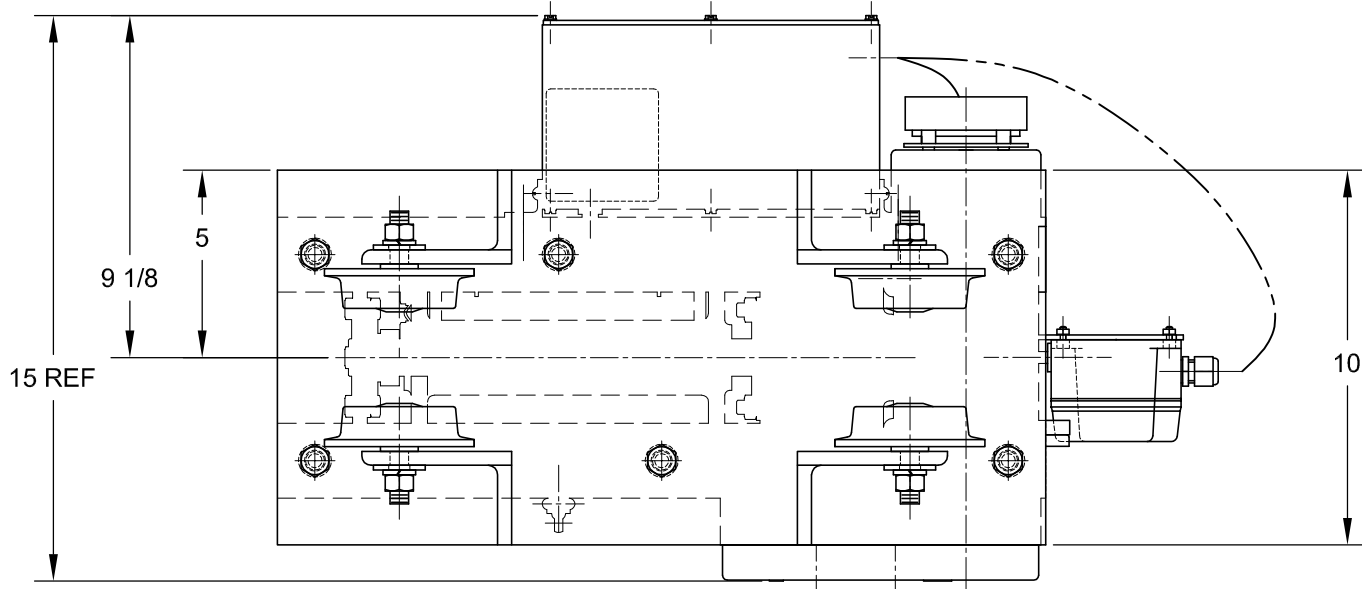
10' CORD LENGTH (REF.)



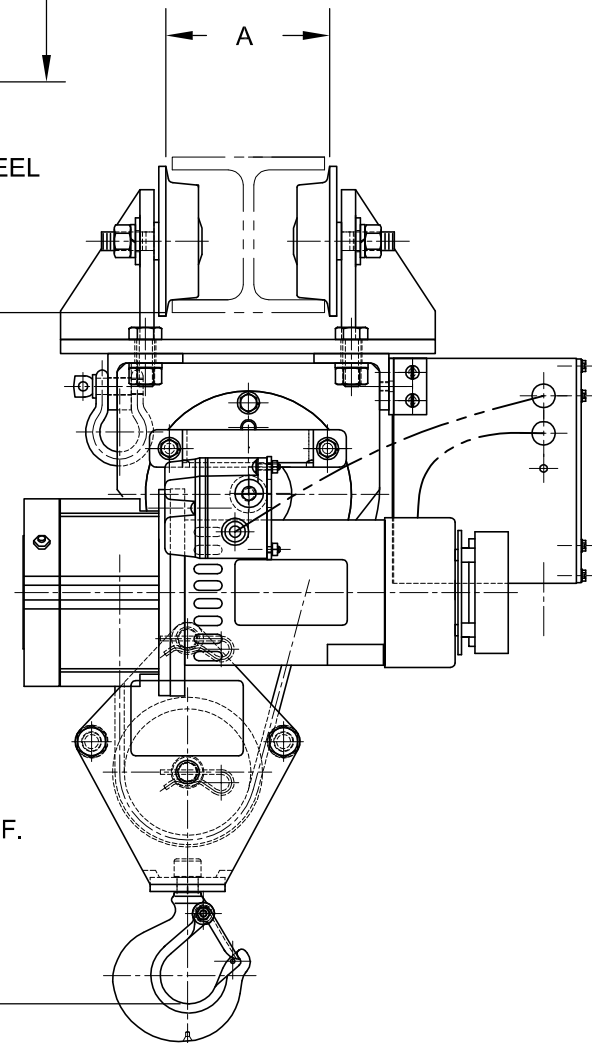
15' CORD LENGTH (REF.)



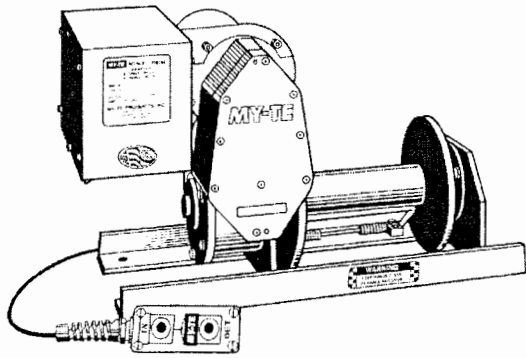
A = I-BEAM WIDTH + 1"  
DRAWING SHOWS 4" I-BEAM



Ø4" WHEEL



## Model 100AB



**2000# Double  
Line Lift Capacity**

# **MY-TE** Winch and Hoist **OPERATION and MAINTENANCE**

**OF  
All 115 Volt AC Winches  
Main Parts List for 100AB, 150AB  
Used with Supplement Parts List for 800**

## **READ THIS BEFORE OPERATING UNIT**

### **INSTALLATION:**

Mount on clean, flat surface. Bolt down with 6-1/2" bolts. For ease of service, we do not recommend welding frame to surface.

Unit should be plugged into a 115 Volt A.C. grounded receptacle. Use of extension cords may cause power loss at full capacity. Make sure the voltage and type of current stamped on the name plate is used. The 115 Volt units require 19 amps. service for maximum lift, and uses a manual reset circuit breaker rated at 20 amps.

For additional safety, a power disconnect may be installed to provide a means of cutting power in place of using the power cord to disconnect.

Before the unit is wall mounted, or mounted upside down, remove P/N 286260 Oil Plug Valve and exchange with P/N 286250 Oil Plug located below the control box on the worm gear housing cover.

### **CABLE CONNECTION AND CABLE SAFETY:**

Maintain at least 4 wraps of cable on the drum at the maximum reach. The drum cable clamp is not designed to hold load. Inspect the winch, sheaves and cable frequently. Especially watch for frayed cable, loose parts and worn components which may be hazardous. Use the correct size and length of cable for the job. We recommend use of 1/4" cable for most jobs up to 2000 lb. double line. Always provide a 5 to 1 safety factor.

The cable tensioner is designed to prevent the cable from riding over the drum flanges and to maintain a constant pressure against the cable to keep it from binding.

When installing the cable, cable should be placed between the drum and the tensioner, bringing cable around drum to hold in flange. Push cable through hole and secure screws so that they do not extend through the drum flange and interfere with cable tensioner. Be sure cable is wrapped as evenly as possible on drum.

For best results, use only enough cable to meet specific job requirements.

Worn cable is dangerous. Replace cable that has become frayed, broken, kinked or abraded.

### **OPERATION:**

These units are designed for intermittent duty operation. Mfg. recommends a 25% duty cycle. That is, for good motor life, usage of 15 minutes out of one hour is preferable.

To prevent shock loading, slowly remove slack from cable before full load is moved.

The remote control switch is a special 4 wire control which is part of the dynamic brake control system. Changing the switch to some other type will eliminate the braking action. Use only factory provided switch.

Remote switch provides forward and reverse control through a 24 volt transformer. Lifting power is the same in either direction.

**MY-TE WINCH-HOISTS ARE DESIGNED  
FOR MATERIAL HANDLING USAGE.**

### **MAINTENANCE:**

Check all sheaves, rollers and areas of friction. Be sure they turn freely. Misalignment of cable, dragging sheaves, or rollers will consume a great amount of power.

If the unit is installed outside, be sure to provide a cover to protect motor and controls from the weather. When the unit is in operation be sure cover is completely removed.

Periodic inspection of switch and power cord should be made to detect any damage or cuts which would require replacement.

The gearbox oil is shared between the spur and worm gear housings. The factory-installed oil is a Shell product; Omala 68. It is an EP type industrial gear oil, ISO Grade 68. If this is not available, an SAE 20 weight, non-detergent motor oil is acceptable. Standard capacity is 18 ounces.

### **TROUBLE SHOOTING AND REMEDIES:**

**CAUTION: BEFORE SERVICING OR INSPECTING UNIT FOR PROBLEM: BE SURE TO DISCONNECT POWER.**

If the unit does not run, check power supply. Be sure correct voltage and frequency are being used. Remove power plug and remove control box cover. Visually inspect for loose wires, stuck contacts on relays, and screws which may have worked loose.

If the unit runs but braking is not instantaneous, check resistors and motor brush condition. Bad resistors will affect the dynamic braking. Check resistor for cracked porcelain and exposed wire. Replace as needed. To check resistor electrically, test individually with a continuity test. On ohmmeter, each resistor should have a value of 4 ohms and together a resistance of 2 ohms.

Care should be taken to keep the armature in good condition which may be accomplished by lightly rubbing commutator with a rubstone.

Check brushes to see that they seat on the commutator and are not cracked or badly worn. Replace as needed. Brush springs should provide enough tension to keep brushes seated.

If the unit does not operate properly after the above remedies, contact a qualified electrician or the factory.

### **WARRANTY:**

All My-te winch-hoists are designed for material handling use only. My-te Products, Inc. warrants each My-te winch-hoist to be free of defects in material and workmanship for a period of one year. This warranty does not cover abuse, neglect or use above or beyond rated capacity and duty cycle. Warranty coverage includes shipping charges, one way, by standard ground service. Warranty does not cover cost of installation or removal of winch-hoist from service or loss due to downtime or time out of service. My-te will not reimburse unauthorized warranty expense. The final responsibility for fit of winch-hoist with application rests with end user. The warranty is void if the winch-hoist is altered or parts substituted. This warranty is limited to repair or replacement at manufacturer's factory or a point designated by the manufacturer. Inspection by the manufacturer will determine manufacturer's liability.

## LIMIT SWITCH

### INSTRUCTIONS, WIRING & PARTS

Factory installed on Model 800, and available as option # 771080 on other models.

Use attached parts list in conjunction with the 100A maintenance and operation sheet. Use attached wiring diagram in place of standard wiring.

**PURPOSE:** To override hand control for additional safety.

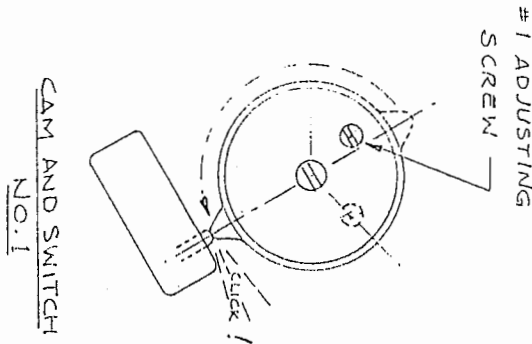
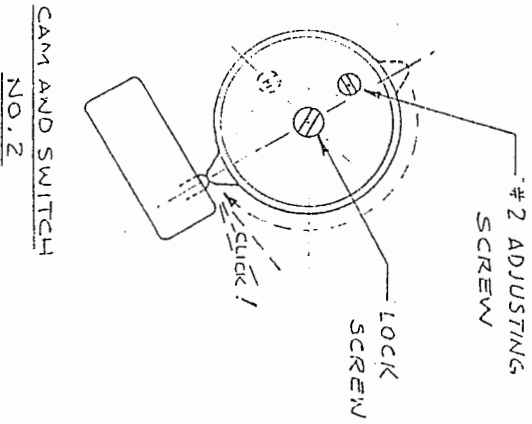
**OPERATION:** A limit switch gear box is used at the end of the main shaft with a double cam setup tripping two micro-switches. Maximum travel is 100' of cable.

**ADJUSTMENT:** The following instructions assume that there is no cable on the drum to begin.

- 1) Remove cover of limit switch gear box.
- 2) Loosen center locking screw 1/4 turn which will allow the cam position screws to be turned to the proper setting for your application.
- 3) Position cams away from the switches by turning screw #1 (in limit) clockwise moving the cam 180, away from the switch and screw #2 (out limit) counterclockwise moving the cam 180, away from the switch.
- 4) Install cable through drum flange and operate hoist in the "IN" direction until there are 8 turns of cable on the drum. Now operate unit in the "out" direction. Look at the cam rotation to see the direction that it is moving as it travels towards the trip switch. Stop the unit with 4 turns of cable left on the drum. This is your position for maximum "OUT" travel. Use screwdriver to rotate screw #2 clockwise bringing cam into contact with switch. A small click will be heard when the cam actuates the micro switch. This will deactivate the "OUT" push button.
- 5) Retighten center locking screw 1/4 turn. DO NOT OVERTIGHTEN.
- 6) It is advisable to test your settings 3-4 times to insure consistent repetition. This can be done by running a short length of cable on and off the drum in 1'-2' lengths.
- 7) Run unit in the "IN" direction to install the desired length of cable onto the drum (100' Maximum).
- 8) When the hook reaches the desired distance from the drum, stop the hoist. Loosen center locking screw 1/4 turn. Use screwdriver to rotate screw #1 counterclockwise to bring cam into contact with switch. A small click will be heard when the cam actuates the micro switch. This will deactivate the "IN" push button.
- 9) Re-tighten the center locking screw 1/4 turn. DO NOT OVERTIGHTEN, as this will cause your settings to vary, and over or under travel could occur.
- 10) Repeat instruction #6 for "IN" setting.
- 11) Re-install Limit switch cover over limit switch gear box.

MY-TE PRODUCTS, INC.  
9880 E. 30TH STEET  
INDIANAPOLIS, INDIANA 46229  
(317) 897-9880  
FAX (317) 547-9811





QDS 11-28-95 ADJUSTMENT DIAGRAMS FOR GEARED LIMIT SWITCH